

**ROTARY ALARM LIGHTS**



**Models:**

Amber/Yellow: FLR-010Y  
Green: FLR-010G  
Red: FLR-010R  
Blue: FLR-010B

**Specifications:**

Supply voltage: 120VAC, 50/60 Hz.  
Power: 20W  
Size: 4.25" (108mm) DIA x 5.63" (143mm) High  
Weight: 3 lbs ( 1.5 KG )

**Installation:**

The Rotary lights can be installed on a wall, ceiling or other surface. These lights are NOT waterproof. To control the lights from the Clock timer or Counter functions, the option # 727 , internal relay, must be ordered installed in the clock. If the internal power supply is needed, order the option # 729PSLIN in the clock as well.

**FLASHING LED ALARM LIGHTS**



Model FLD-011W      WHITE LED LIGHTS

Flash: WHITE COLOR LED  
Flash Freq.: Max 10 flashes / sec  
Supply voltage: 120Vac or 240Vac, 50/60 Hz.  
Power: 10W  
Size: 4.72" x 3.15" x 1.97"  
(120 x 80 x 50mm)  
Weight: 0.66 lbs ( 0.3 KG )

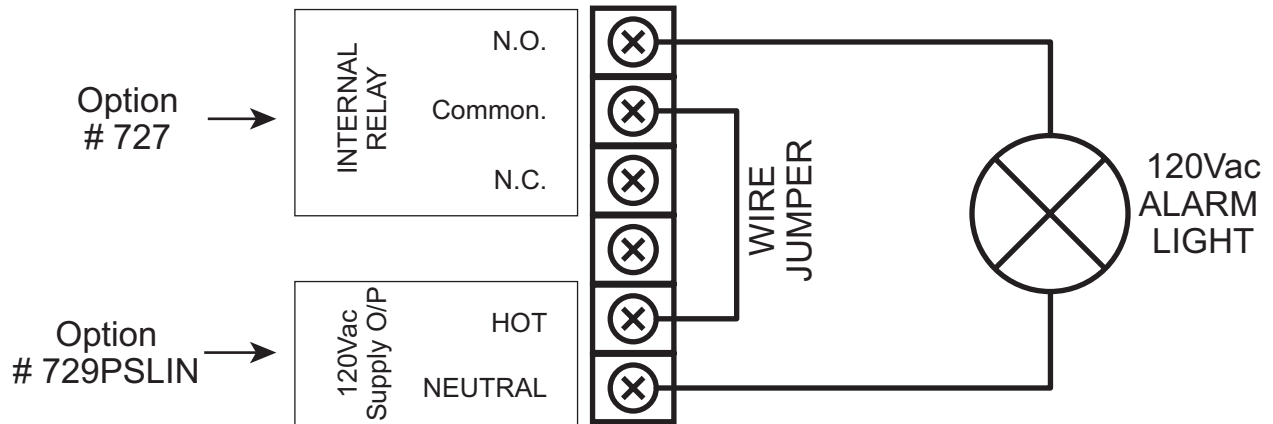
Model FLD-011C      COLOR LED LIGHTS

Flash: WHITE / GREEN / RED  
Flash Freq.: Max 10 flashes / sec  
Supply voltage: 120Vac or 240Vac, 50/60 Hz.  
Power: 10W  
Size: 4.72" x 3.15" x 1.97"  
(120 x 80 x 50mm)  
Weight: 0.66 lbs ( 0.3 KG )

**Installation:**

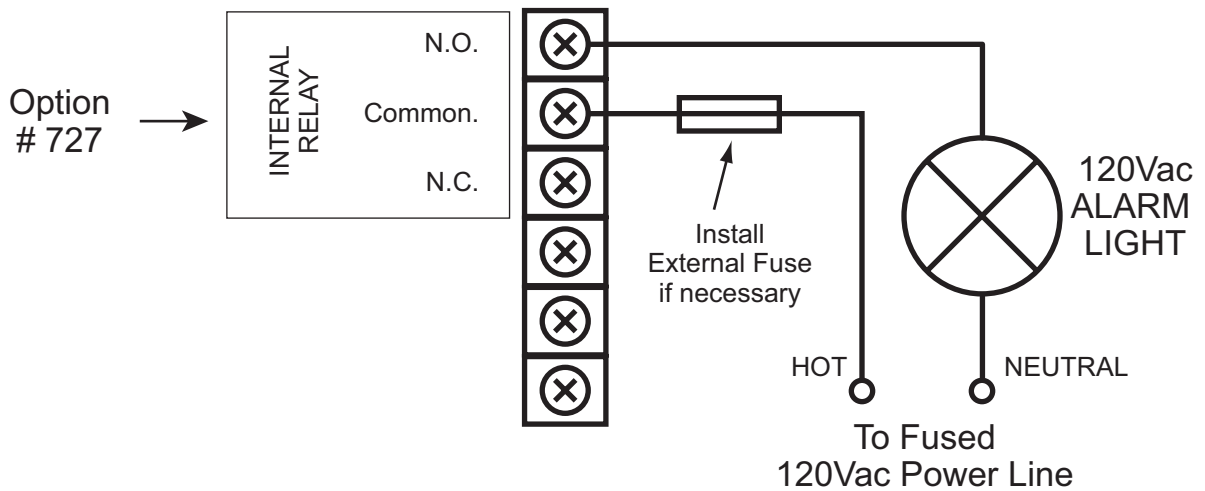
The LED lights can be installed on a wall, ceiling or other surface. These lights are NOT waterproof. To control the lights from the Clock timer or Counter functions, the option # 727 , internal relay must be ordered installed in the clock. If the internal power supply is needed, order the option # 729PSLIN in the clock as well.

**WIRING FOR ALARM LIGHTS  
USING INTERNAL CLOCK SUPPLY  
POWER LINE SOURCE Option # 729PSLIN**



- NOTE 1: The internal relay contacts in the clock may not be fuse protected. Use external fuse in series with the load to protect the wiring.
- NOTE 2: The internal supply source in the clock may be fuse protected. Make sure that the correct fuse is installed.

**WIRING FOR ALARM LIGHTS  
USING EXTERNAL POWER LINE SOURCE**



- NOTE 1: The internal relay contacts in the clock may not be fuse protected. Use external fuse in series with the load to protect the wiring.