

General Specifications

6 Digit Time & Date / Text LED Clock

SELENA
LED Digital Clocks

model: HYTX-6S-4

ALL CLOCKS INCLUDE REMOTE CONTROL

FLUSH / SURFACE MOUNT
METAL ENCLOSURE

4" TIME, 2.3" DATE / TEXT

RED, GREEN, YELLOW, BLUE



Multifunction Remote Control Included

Dimensions:
24.5" x 10" x 3"
(62.3cm x 25.4cm x 7.6cm)



TEXT and/or Digits can be set to alternate between ZONE, Date, Temperature, Julian etc...

FEATURES and OPTIONS:

- * Infra Red hand held REMOTE CONTROL for all functions
- * Direct Replacement for existing MASTER SYSTEM CLOCKS (replaces round, mechanical or electronic)
- * 12 or 24 Hour and Military Display Format (user selectable)
- * Multiple Master-Slave correction optional modes:
Power Line Carrier sync (Simplex)
2 Wire, RS485 Twisted Pair Sync/Communication
BCD digital, ASCII Time Code
RS232 (PC port) or RS485
2 and 3 Wire, 24V Minute Impulse Sync
- * Multi-Zone synchronized system options
- * Temperature Monitoring and Control options:
Multi-Event Programmable Thermostat
Heating - Cooling Auto Change-Over
Inside and Outside Thermometer function
Min/Max Temperature Memory
Temperature Alarm and Relay outputs
- * Stand - Alone or Master - Slave
- * Backup:
Selfrecharging backup - NO BATTERY NEEDED
10 Year Lithium battery option
- * Atomic Clock or GPS options
- * PC Sync Master option
- * Day/Date/Month/Year Alternating display selection
- * Fully Adjustable Brightness
Manual via remote control
Auto-dimming option
- * Julian Day option
- * Auto Leap-Year correction
- * Day Light Savings correction
- * Timers:
Multi-Event Programmable Timer option
Wake-Up Alarm Timer with soft beeper control
Stop-Watch function up to 1/100 sec resolution
External Start/Stop/Reset switch inputs option
Up/Down Presettable Timer and Counter with Alarm (up to 99hrs:59min:59sec or 999999 counts)
- * On-Board Alarms:
Alarm Buzzer, internal or external optional Horns
Alarm Relays options (Form C, 10Amp/240V)
- * NON-GLARE lens

6 DIGIT TIME DISPLAY modes:

- MODE 1: *HH:MM:SS (12 hour format with am/pm dot)
- MODE 2: HH:MM:SS (24 hour format)
- MODE 3: HH:MM PM (12 hour format with am/pm text)
- MODE 4: HH:MM:SS (24 hour Military format)
- MODE 5: HH:MM:SS (UP/DOWN Timer modes)
- MODE 6: MM:SS:hh (UP/DOWN Timer modes with 1/100 sec)
- MODE 7: d 267 07 (JULIAN DAY with Year)

DATE/TEXT DISPLAY modes:

- MODE 1: FRI-OCT-12
- MODE 2: OCT-12-FRI
- MODE 3: 12-OCT-FRI
- MODE 4: FRI-12-OCT
- MODE 5: 12-OCT-2007
- MODE 6: OCT-12-2007
- MODE 7: 2007-12-OCT
- MODE 8: HH-MM-SS (timer or counter)
- MODE 9: TIMER MM-SS (timer)
- MODE 10: DDD-HH-MM.SS (timer or counter)
- MODE 11: IN 25.3 C (or: 77.5 F)
- MODE 12: OUT 16.4 C (or: 61.5 F)
- MODE 13: TEMP. 25.3 C (or: 77.5 F)
- MODE 14: DAY 245 (Julian day of the year)
- MODE 15: HH-MM-SS AM/PM (Real Time Clock)
- MODE 16: TIME ZONE / TEXT DISPLAY

OTHER OPTIONS:

1. INTERNAL POWER SUPPLY FOR 115V or 220V , 50/60Hz
2. 12V and 24V DC or AC SUPPLY OPTION
3. SYSTEM MASTER SYNC WITH RS-232/485 COMPUTER INTERFACE / TWISTER PAIR
4. SYSTEM MASTER SYNC WITH SERIAL COMMUNICATION OVER POWER LINE
5. SYSTEM MASTER SYNC OVER POWER LINE CARRIER (HIGH AND LOW VOLTAGE)
6. SYSTEM MASTER SYNC 2 AND 3 WIRE, 24 VOLT MINUTE IMPULSE
7. SYSTEM MASTER SYNC ASCII TIME CODE FORMAT 0, 1, 2, 3, 4 ON RS-232/485

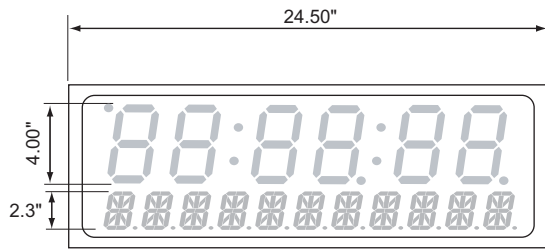


6 Digits, 4" with same size seconds and 2.3" Text / Date

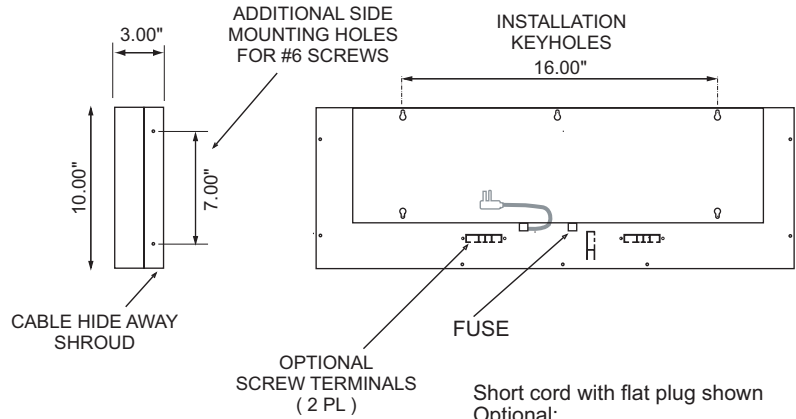
ALL CLOCKS INCLUDE REMOTE CONTROL

Metal Enclosure

standard colors: white, black and stainless steel



EXAMPLE WITH ELECTRONIC TEXT



EXAMPLE WITH VINYL STICK-ON TEXT

OPTIONAL DOUBLE-SIDED MOUNTING BRACKET (OPTION # BR7X2)

