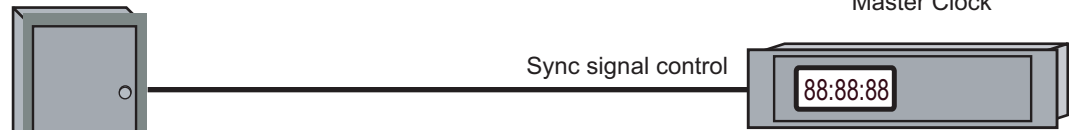


Existing or New
Power Line Carrier
Sync Signal Generator / Transmitter

Existing or New
Master Clock



Existing
Power Distribution
Transformer

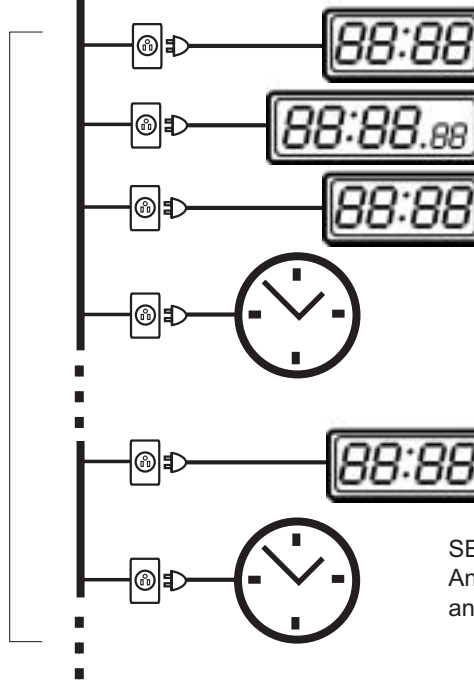
OPERATION

The Master Sync Signal Transmitter, which injects a sync signal of a predetermined frequency into the power line.

All clocks that are supplied from that power line and are equipped with Option #724 (Sync Receiver) can extract that sync information from the power line.

Depending upon the settings at the slave and the master clock, the sync signal may synchronize all clocks once every hour and once or twice every 24 hours.

120V or 208-240Vac, 50/60Hz
POWER LINE
WITH INJECTED SYNC SIGNAL



Any model of SELENA clocks
with Option #724

SELENA replaces existing clocks
Any mix of SELENA
and other clocks is allowed

Configuration with external Sync Transmitter

Main Features (all user selectable via the Remote Control):

- 1) Communication through the Power Line wiring - No additional wiring necessary.
- 2) Available Sync impulse frequencies up to 30kHz selectable via the Remote Control
- 3) 12 or 24 hour sync modes plus sync every hour
- 4) System Sync receiver Enable/Disable
- 5) Self recharging backup for accurate time keeping without power or sync no batteries required . (10 year lithium battery optional)
- 6) 120Vac, 208-240Vac, 12V or 24V 50/60Hz power line operation or DC 12V or 24V.
- 7) All other functions: Time/Date, Timers, Counters and Temperature display fully operational

NOTE: All options and presets are selectable via the Remote Control

