

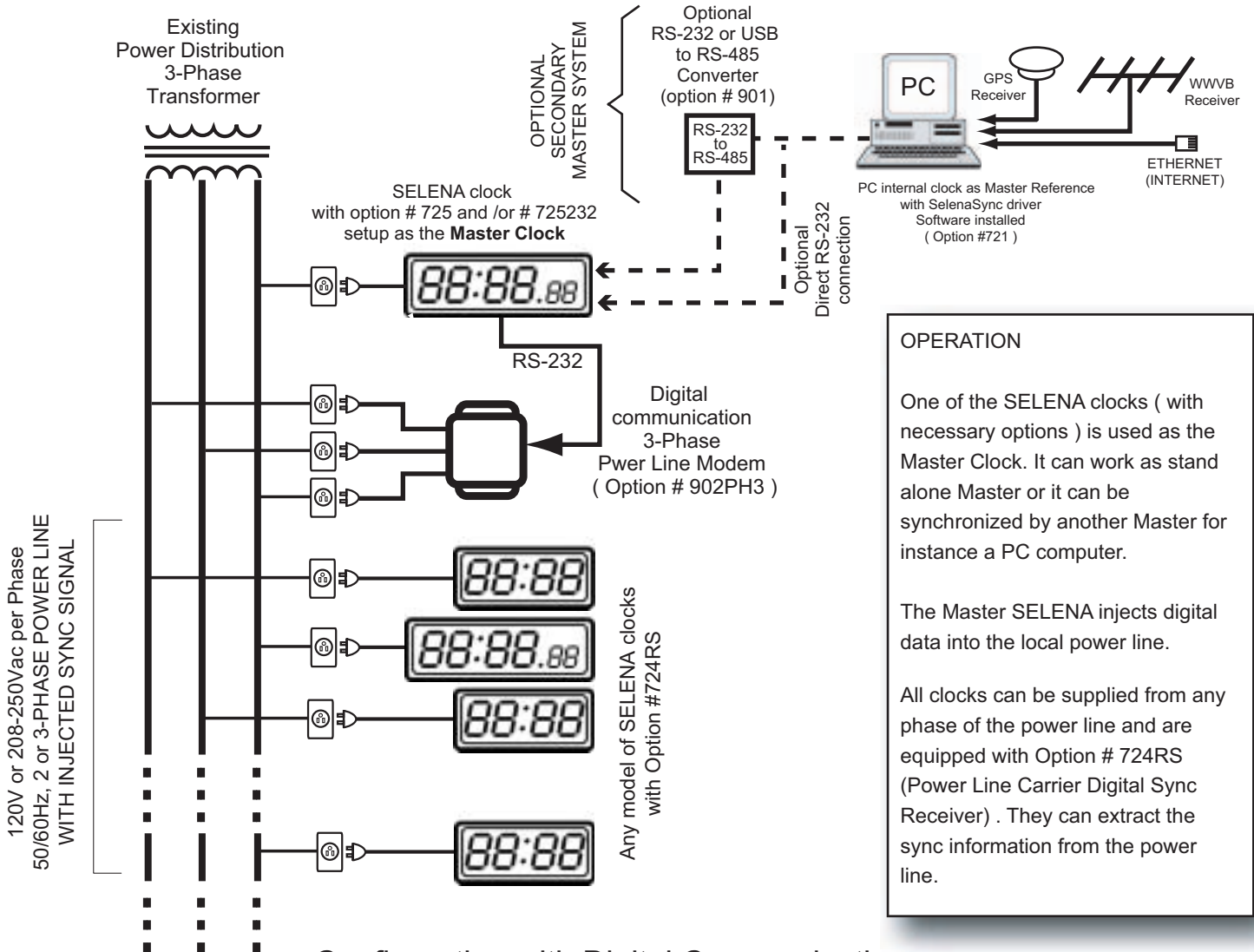
**Configuration with Digital Communication
through 1-Phase Power Line wiring and SELENA as the Master Clock
with optional PC as the Master Reference**

NOTE: In this configuration, even if the PC fails, all slaves can still receive the sync signal from the SELENA Master.

Main Features (all user selectable via the Remote Control) :

- 1) Communication through the Power Line - No additional wiring necessary.
- 2) Time synchronization using SELENA clock as the Master and PC as the time reference
- 3) Power line frequency or Atomic clock external time source may be used as reference
- 4) Master Sync receiver Enable/Disable
- 5) Self recharging backup for accurate time keeping without power or sync (no batteries required) for 2 weeks or longer blackouts (10 year lithium battery optional)
- 6) 120Vac, 208-250Vac, 12V or 24V 50/60Hz power line operation or DC 12V or 24V.
- 7) All other functions: Time/Date, Timers, Counters and Temperature display fully operational

NOTE: All options and presets are selectable via the Remote Control



**Configuration with Digital Communication
through 2 or 3-Phase Power Line wiring and SELENA as the Master Clock
with optional PC as the Master Reference**

NOTE: In this configuration, even if the PC fails, all slaves can still receive the sync signal from the SELENA Master.

Main Features (all user selectable via the Remote Control) :

- 1) Communication through the Power Line - No additional wiring necessary.
- 2) Time synchronization using SELENA clock as the Master and PC as the time reference
- 3) Power line frequency or Atomic clock external time source may be used as reference
- 4) Master Sync receiver Enable/Disable
- 5) Self recharging backup for accurate time keeping without power or sync (no batteries required) for 2 weeks or longer blackouts (10 year lithium battery optional)
- 6) 120Vac, 208-250Vac, 12V or 24V 50/60Hz power line operation or DC 12V or 24V.
- 7) All other functions: Time/Date, Timers, Counters and Temperature display fully operational

NOTE: All options and presets are selectable via the Remote Control

