

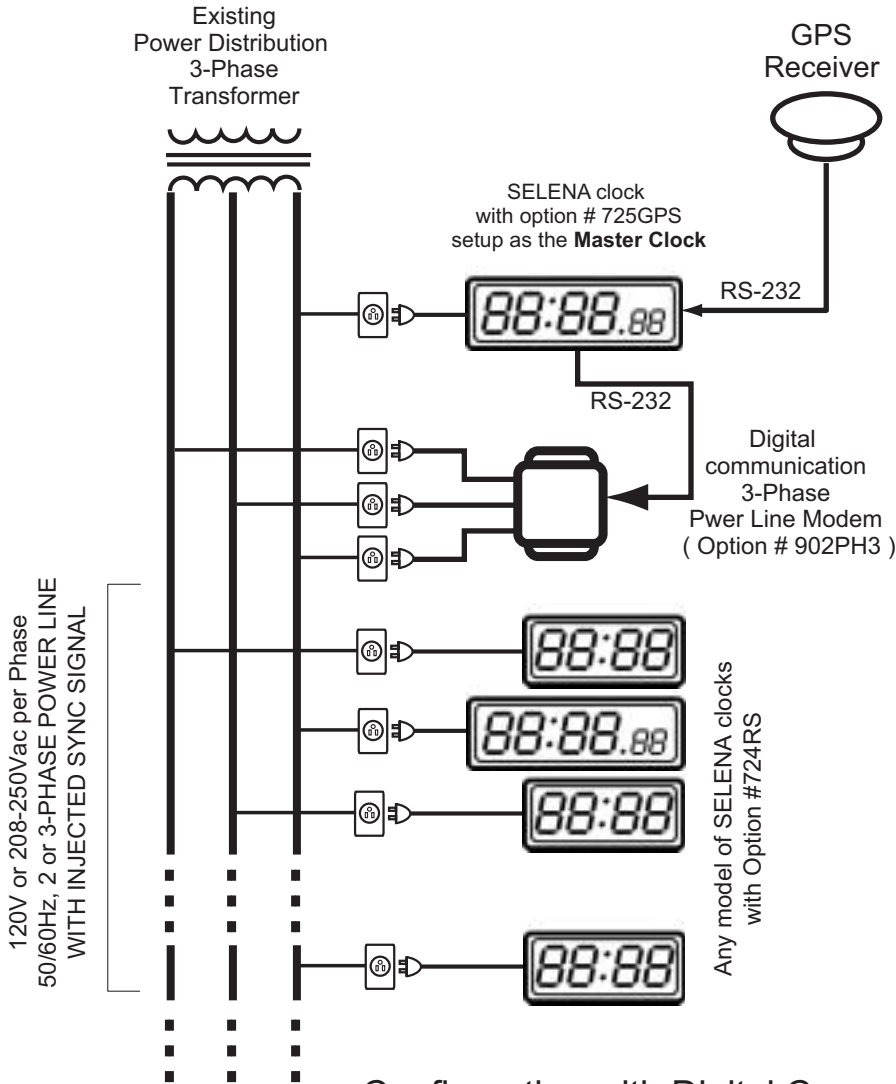
**Configuration with Digital Communication
through 1-Phase Power Line wiring and SELENA as the Master Clock
and using the GPS receiver as the Atomic Time Reference**

NOTE: In this configuration, even if the GPS fails, all slaves can still receive the sync signal from the SELENA Master.

Main Features (all user selectable via the Remote Control) :

- 1) Communication through the Power Line - No additional wiring necessary.
- 2) Time synchronization using SELENA clock as the Master and GPS as the time reference
- 3) Power line frequency or Atomic clock external time source may be used as reference
- 4) Master Sync receiver Enable/Disable
- 5) Self recharging backup for accurate time keeping without power or sync (no batteries required) for 2 weeks or longer blackouts (10 year lithium battery optional)
- 6) 120Vac, 208-250Vac, 12V or 24V 50/60Hz power line operation or DC 12V or 24V.
- 7) All other functions: Time/Date, Timers, Counters and Temperature display fully operational

NOTE: All options and presets are selectable via the Remote Control



OPERATION

One of the SELENA clocks (with necessary options) is used as the Master Clock. It can work as stand alone Master or it can receive Atomic Time data from a GPS receiver.

The Master SELENA injects digital data into the local power line.

All clocks can be supplied from any phase of the power line and are equipped with Option # 724RS (Power Line Carrier Digital Sync Receiver) . They can extract the sync information from the power line.

**Configuration with Digital Communication
through 2 or 3-Phase Power Line wiring and SELENA as the Master Clock
and using the GPS receiver as the Atomic Time Reference**

NOTE: In this configuration, even if the GPS fails, all slaves can still receive the sync signal from the SELENA Master.

Main Features (all user selectable via the Remote Control) :

- 1) Communication through the Power Line - No additional wiring necessary.
- 2) Time synchronization using SELENA clock as the Master and GPS as the time reference
- 3) Power line frequency or Atomic clock external time source may be used as reference
- 4) Master Sync receiver Enable/Disable
- 5) Self recharging backup for accurate time keeping without power or sync (no batteries required) for 2 weeks or longer blackouts (10 year lithium battery optional)
- 6) 120Vac, 208-250Vac, 12V or 24V 50/60Hz power line operation or DC 12V or 24V.
- 7) All other functions: Time/Date, Timers, Counters and Temperature display fully operational

NOTE: All options and presets are selectable via the Remote Control

