

**OPERATION**

A PC is used as the Master Clock. Reference Time data is received by the PC from outside sources like GPS, WWVB, Internet or Ethernet network. The PC serial port RS-232, USB or RS485 output drives the Power Line Digital Modem (Option #902) which introduces a Digital Communication signal into the local power line.

All clocks that are supplied from that power line and are equipped with Option # 724RS (Power Line Carrier Digital Sync Receiver) can extract the sync information from the power line.

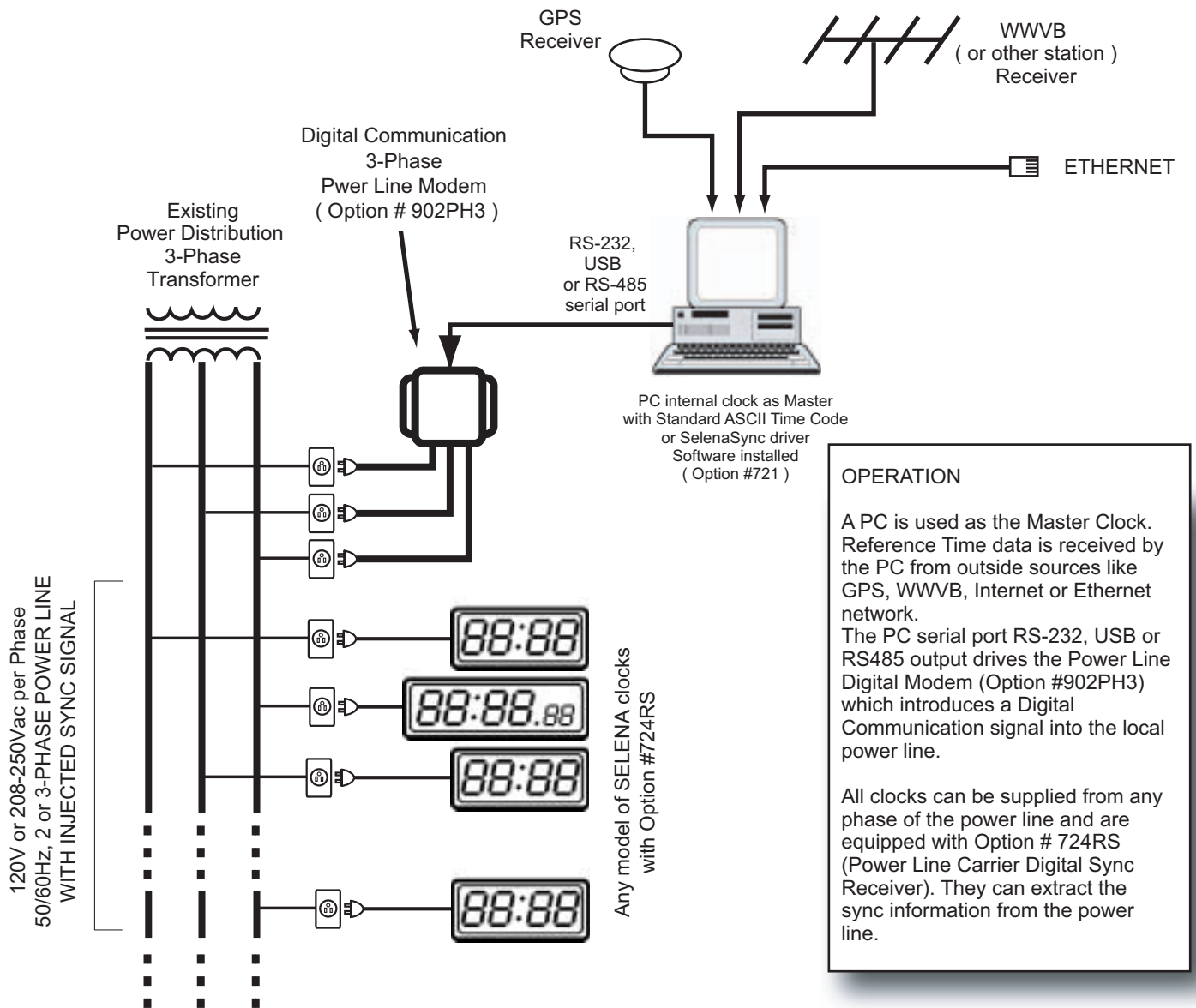
**Configuration with Digital Communication  
through 1-Phase Power Line wiring and with PC used as the Master**

Main Features (all user selectable via the Remote Control):

- 1) Communication through the Power Line wiring - No additional wiring necessary.
- 2) Time synchronization using PC computer as the Master
- 3) Atomic clock external time source may be used as reference
- 4) Master Sync receiver Enable/Disable
- 5) Self recharging backup for accurate time keeping without power or sync  
No batteries required . ( 10 year lithium battery optional )
- 6) 120Vac, 208-240Vac, 12V or 24V 50/60Hz power line operation or DC 12V or 24V.
- 7) All other functions: Time/Date, Timers, Counters and Temperature display fully operational

NOTE: All options and presets are selectable via the Remote Control





**Configuration with Digital Communication  
through 2 or 3-Phase Power Line wiring and with PC used as the Master**

Main Features (all user selectable via the Remote Control):

- 1) Communication through the Power Line wiring - No additional wiring necessary.
- 2) Time synchronization using PC computer as the Master
- 3) Atomic clock external time source may be used as reference
- 4) Master Sync receiver Enable/Disable
- 5) Self recharging backup for accurate time keeping without power or sync  
No batteries required . ( 10 year lithium battery optional )
- 6) 120Vac, 208-250Vac, 12V or 24V 50/60Hz power line operation or DC 12V or 24V.
- 7) All other functions: Time/Date, Timers, Counters and Temperature display fully operational

NOTE: All options and presets are selectable via the Remote Control