

FLUSH / SURFACE MOUNT 2.3" TIME and electronic 1" DATE / TEXT
with Smaller Seconds, Upper or Lower

RED, GREEN,
YELLOW, BLUE

FEATURES and OPTIONS:

- * **Infra Red hand held REMOTE CONTROL for all functions**
- * Optional: **Direct Replacement for existing MASTER-SLAVE SYSTEM CLOCKS**
(replaces round, mechanical or electric)
- * 12 or 24 Hour and Military Display Format (user selectable)
- * Optional: Multiple Master-Slave correction modes:
Power Line Carrier sync (Simplex)
2 Wire, RS485 Twisted Pair Sync/Communication
BCD digital, ASCII Time Code
RS232 (PC port) or RS485
2 and 3 Wire, 24V Minute Impulse Sync
- * Optional: Multi-Zone synchronized system
- * Optional: Temperature Monitoring and Control:
Multi-Event Programmable Thermostat
Heating - Cooling Auto Change-Over
Inside and Outside Thermometer function
Min/Max Temperature Memory
Temperature Alarm and Relay outputs
- * Stand - Alone operation for Home or Office
- * Backup:
Selfrecharging backup - NO BATTERY NEEDED
10 Year Lithium battery option
- * Atomic Clock receiver - optional
- * GPS Atomic Clock - optional
- * Optional: PC Sync Master
- * Day/Date/Month/Year Alternating display selection
- * Fully Adjustable Brightness
Manual via remote control
Auto-dimming - optional
- * Julian Day option
- * Auto Leap-Year correction
- * Day Light Savings correction
- * Timers:
Up/Down Presettable Timer and Counter with Alarm
(up to 99hrs:59min:59sec or 999999 counts)
Wake-Up Alarm Timer with soft beeper control
Stop-Watch function up to 1/100 sec resolution
Optional: External Start/Stop/Reset switch inputs
Optional: Multi-Event Programmable Timer
- * On-Board Alarms:
Alarm Buzzer, internal or optional external Horns
Optional: Alarm internal Relays (Form C, 10Amp/240V)
- * NON-GLARE lens

PLASTIC

Black, White or Dark Blue enclosure



Multifunction Remote Control Included

Shown model : HYPTX-6U-2.3R-732B

SPECIFICATIONS:

Supply Voltage: 115V or 208-240V, 50/60Hz
24 or 12V AC/DC
Power: 12VA average
Operating Temperature: 0C to +50C (32F to 122F)
(military range optional)
Humidity: 95% RH max. non cond.
Dimensions: 12.75" x 7.4" x 4"
(32.4cm x 18.8cm x 10.2cm)
Visibility: Up to 80Ft. (25m)

6 DIGIT TIME DISPLAY modes:

- MODE 1: *HH:MM SS (12 hour format with am/pm dot)
- MODE 2: HH:MM SS (24 hour format)
- MODE 3: HH:MM PM (12 hour format with am/pm text)
- MODE 4: HH:MM SS (24 hour Military format)
- MODE 5: HH:MM SS (UP/DOWN Timer modes)
- MODE 6: MM:SS hh (UP/DOWN Timer modes with 1/100 sec)
- MODE 7: d 267 07 (JULIAN DAY with Year)

DATE/TEXT DISPLAY modes:

- MODE 1: FRI-OCT-12
- MODE 2: OCT-12-FRI
- MODE 3: 12-OCT-FRI
- MODE 4: FRI-12-OCT
- MODE 5: 12-OCT-2007
- MODE 6: OCT-12-2007
- MODE 7: 2007-12-OCT
- MODE 8: HH-MM-SS (timer or counter)
- MODE 9: TIMER MM-SS (timer)
- MODE 10: DDD-HH-MM.SS (timer or counter)
- MODE 11: IN 25.3 C (or: 77.5 F)
- MODE 12: OUT 16.4 C (or: 61.5 F)
- MODE 13: TEMP. 25.3 C (or: 77.5 F)
- MODE 14: DAY 245 (Julian day of the year)
- MODE 15: HH-MM-SS AM/PM (Real Time Clock)
- MODE 16: TIME ZONE / TEXT DISPLAY

NOTE: Display with **UPPER** or **LOWER** seconds available

OPTIONS:

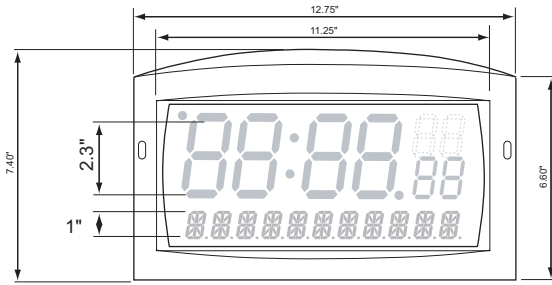
1. INTERNAL POWER SUPPLY FOR 115V or 220V , 50/60Hz
2. 12V and 24V DC or AC SUPPLY OPTION
3. SYSTEM MASTER SYNC WITH RS-232/485 COMPUTER INTERFACE / TWISTER PAIR
4. SYSTEM MASTER SYNC WITH SERIAL COMMUNICATION OVER POWER LINE
5. SYSTEM MASTER SYNC OVER POWER LINE CARRIER (HIGH AND LOW VOLTAGE)
6. SYSTEM MASTER SYNC 2 AND 3 WIRE MINUTE IMPULSE
7. SYSTEM MASTER SYNC ASCII TIME CODE FORMAT 0, 1, 2, 3, 4 ON RS-232/485



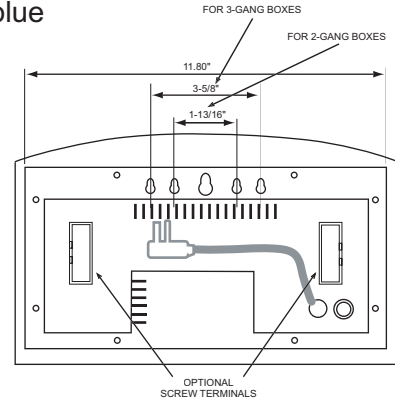
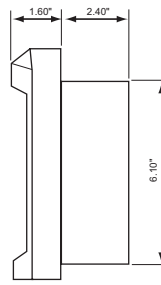
6 Digits, 2.3" with Text / Date Plastic Enclosure

ALL CLOCKS INCLUDE REMOTE CONTROL

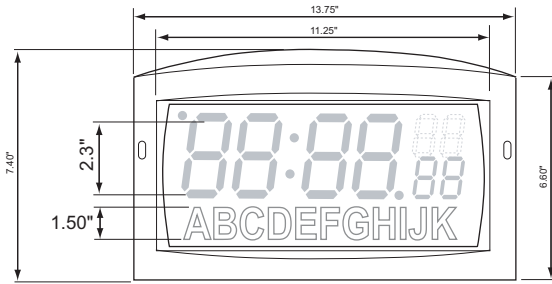
standard colors: white, black and dark blue



Lower or Upper seconds optional
with Electronic Text / Date display
Model series HYTX-6(U)L-2.3



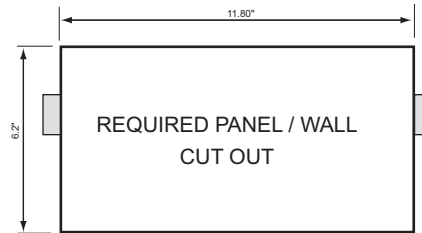
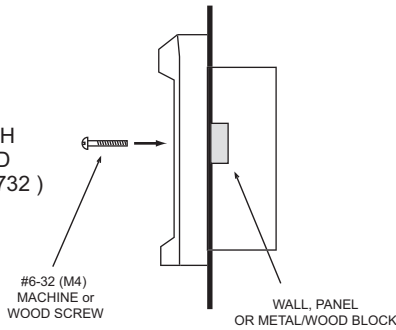
Short cord with flat plug shown
Optional:
Long cord or Screw terminal
for power connection



Lower or Upper seconds optional
with Vinyl stick-on Text
Model series HYVTX-6(U)L-2.3

**SURFACE MOUNT
OR
FLUSH MOUNT**

STANDARD FLUSH MOUNT METHOD
(enclosure option # 732)



OPTIONAL FLUSH MOUNT METHOD
(enclosure option # 732FL)

