

model series: HYMAR-4-4

Solid Segment LED digits  
Indoor LED brightness

**RED, GREEN, YELLOW, BLUE**

Surface Mount ( or optional Flush Mount )  
Water-Proof Enclosure  
Stainless Steel painted with baked enamel

**STANDARD FEATURES:**

- \* Infra Red hand held REMOTE CONTROL for all functions
- \* 12 or 24 Hour and Military Display Format (user selectable via remote)
- \* Stand - Alone operation for Home or Office
- \* Backup:  
Self-recharging backup - NO BATTERY NEEDED
- \* Day/Date/Month/Year Alternating display selection
- \* Fully Adjustable Brightness ( Manual via remote control )
- \* Julian Day display
- \* Auto Leap-Year correction
- \* Day Light Savings correction
- \* Timers:  
Wake-Up Alarm Timer with soft beeper control  
Stop-Watch function up to 1/100 sec resolution  
Up/Down Presetable Timer and Counter with Alarm (up to 99hrs:59min:59sec or 999999 counts)  
Cycling timer, Up and Down
- \* On-Board Alarms: Internal Alarm buzzer
- \* NON-GLARE lens
- \* NON-MULTIPLEXING - Camera friendly
- \* Variety of enclosure colors.



**SPECIFICATIONS:**

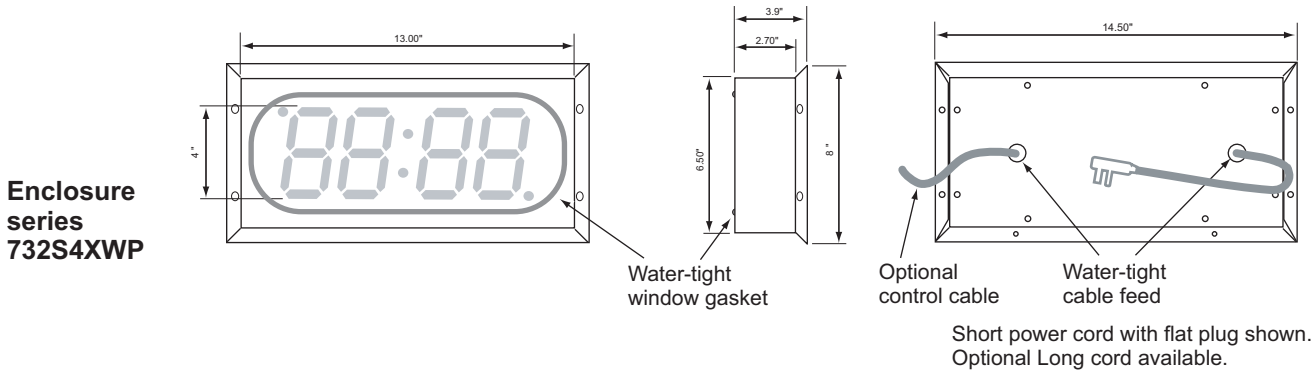
Supply Voltage:	115V, 208-240V, 50/60Hz 24 or 12V AC/DC
Power:	6VA average
Operating Temperature:	-30C to +80C (-22F to 175F)
Humidity:	100% RH max. waterproof
Dimensions (w/o back flange)	13" x 6.5" x 2.7" (33cm x 16.5cm x 6.85cm)
Back Flange:	Add 1" (2.54cm) on each side and depth
Visibility:	Easy up to 80Ft. (25m)

**Optional FEATURES:**

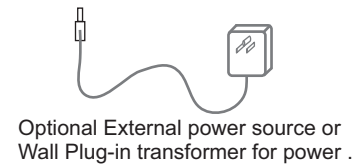
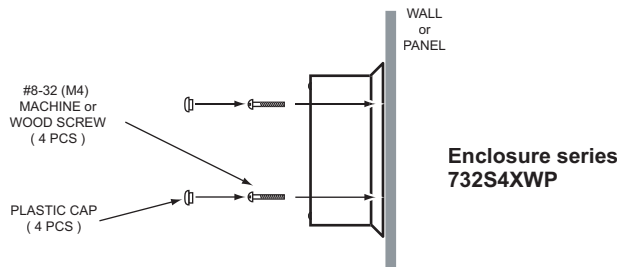
- \* Direct Replacement for existing MASTER - SLAVE SYSTEM CLOCKS (replaces round, mechanical or electronic)
- \* Multiple Master-Slave correction modes:  
Master-Slave Power Line Carrier sync (Simplex)  
Master-Slave 2 Wire, RS485 Twisted Pair Sync/Communication  
Master-Slave wireless communication on power line wiring  
Master-Slave wireless RF, radio communication  
Master-Slave network ethernet communication  
Master-Slave BCD digital, ASCII Time Code  
RS232, USB and RS485 serial communication ( PC port as the Master )  
Master-Slave 2 and 3 Wire, 5 to 24V Minute Impulse Sync
- \* Multi-Zone synchronized Master-Slave system
- \* Temperature Monitoring and Control:  
Multi-Event Programmable Thermostat ( up to 32 events/day )  
Heating - Cooling Auto Change-Over  
Inside and Outside Thermometer function  
Min/Max Temperature Memory  
Temperature Alarm and Relay outputs ( up to 2 x Form C, 10Amp/250V )
- \* Backup:  
10 Year Lithium battery option
- \* Atomic Clock radio option ( WWWVB60, DCF77, HBG75, MSF60, OHTAKADOYA40, HAGANE60 )
- \* Atomic Clock GPS option
- \* Automatic Brightness with Auto-dimming option
- \* Timers:  
Multi-Event Programmable Timer ( up to 32 events/day )  
Stop-Watch function up to 1/100 sec resolution  
External Start/Stop/Reset switch inputs  
Auto-reloading time period measurement  
Continuous time count on power failure
- \* On-Board Alarm Relays for timers and counters:  
( up to 2 x Form C, 10Amp/250V ) For external load, siren or horn.

## Enclosure series 732S4XWP and 732S4XFLWP Straight 4-digit model ( standard colors: grey, black, white )

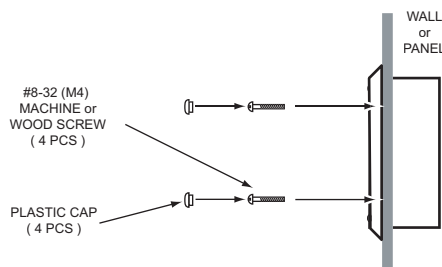
### Model with internal or external power supply



### Permanent surface mounting with hidden bolts

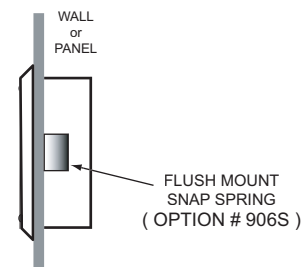


### Permanent flush mounting with hidden bolts



Enclosure series 732S4XFLWP

### Flush mounting with retaining springs



Enclosure series 732S4XFLWP906S