

Models series: HXXOD-4-4, HXXOD-6(U)L-4 and HXXOD-6S-4 in OUTDOOR enclosures and with OUTDOOR BRIGHTNESS DOT MATRIX LEDs

Models series: HXXD-4-4, HXXD-6(U)L-4 and HXXD-6S-4 in OUTDOOR enclosures and with INDOOR BRIGHTNESS DOT MATRIX LEDs

Models series: HYOD-4-4, HYOD-6(U)L-4 and HYOD-6S-4 in INDOOR enclosures and with OUTDOOR BRIGHTNESS DOT MATRIX LEDs

Models series: HYD-4-4, HYD-6(U)L-4 and HYD-6S-4 in INDOOR enclosures and with INDOOR BRIGHTNESS DOT MATRIX LEDs

**STANDARD FEATURES:**

- \* Infra Red hand held REMOTE CONTROL for all functions
- \* 12 or 24 Hour and Military Display Format (user selectable via remote)
- \* Stand - Alone operation for Home or Office
- \* Backup:  
Self-recharging backup - NO BATTERY NEEDED
- \* Day/Date/Month/Year Alternating display selection
- \* Fully Adjustable Brightness ( Manual via remote control )
- \* Julian Day display
- \* Auto Leap-Year correction
- \* Day Light Savings correction ( N. America )
- \* Timers:  
Wake-Up Alarm Timer with soft beeper control  
Stop-Watch function up to 1/100 sec resolution  
Up/Down Presettable Timer and Counter with Alarm (up to 99hrs:59min:59sec or 999999 counts)  
Cycling timer, Up and Down
- \* On-Board Alarms: Internal Alarm buzzer
- \* NON-GLARE lens
- \* NON-MULTIPLEXING - Camera friendly
- \* Variety of enclosure colors.

**RED, GREEN, YELLOW or BLUE - 4 INCH High Digits**

**Aluminum or Steel Enclosures**



IR Remote Control

**SPECIFICATIONS:**

Supply Voltage:	115V or 208-240V, 50/60Hz 24 or 12V AC/DC
Power:	12VA to 18VA average
Operating Temperature:	-20C to +70C (-4F to +158F) (military range optional)
Visibility:	Up to 150 Ft. (50m)

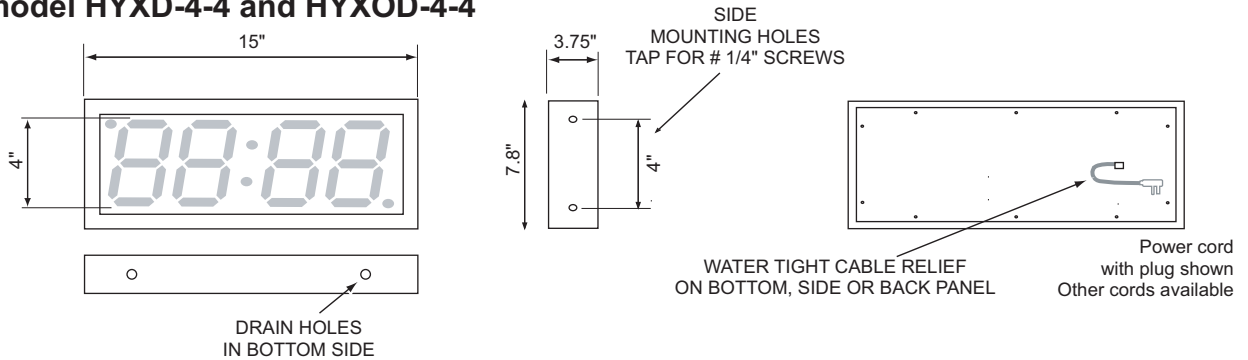
**Optional FEATURES:**

- \* Direct Replacement for existing MASTER - SLAVE SYSTEM CLOCKS (replaces round, mechanical or electronic)
- \* Multiple Master-Slave correction modes:  
Master-Slave Power Line Carrier sync (Simplex)  
Master-Slave 2 Wire, RS485 Twisted Pair Sync/Communication  
Master-Slave wireless communication on power line wiring  
Master-Slave wireless RF, radio communication  
Master-Slave network ethernet communication  
Master-Slave BCD digital, ASCII Time Code  
RS232, USB and RS485 serial communication ( PC port as the Master )  
Master-Slave 2 and 3 Wire, 24V Minute Impulse Sync
- \* Multi-Zone synchronized Master-Slave system
- \* Temperature Monitoring and Control:  
Multi-Event Programmable Thermostat ( up to 32 events/day )  
Heating - Cooling Auto Change-Over  
Inside and Outside Thermometer function  
Min/Max Temperature Memory  
Temperature Alarm and Relay outputs ( up to 2 x Form C, 10Amp/250V )
- \* Backup:  
10 Year Lithium battery option
- \* Atomic Clock radio option  
( WWVB60, DCF77, HBG75, MSF60, OHTAKADOYA40, HAGANE60 )
- \* Atomic Clock GPS option
- \* Automatic Brightness with Auto-dimming option
- \* Timers:  
Multi-Event Programmable Timer ( up to 32 events/day )  
Stop-Watch function up to 1/100 sec resolution  
External Start/Stop/Reset switch inputs  
Auto-reloading time period measurement  
Continuous time count on power failure
- \* On-Board Alarm Relays for timers and counters:  
( up to 2 x Form C, 10Amp/250V ) For external load, siren or horn.

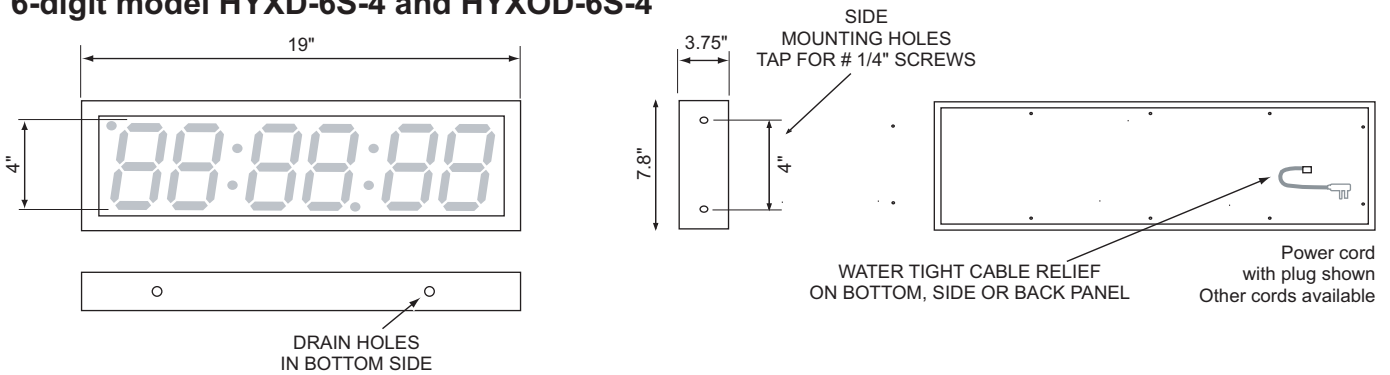


standard color black , custom colors available

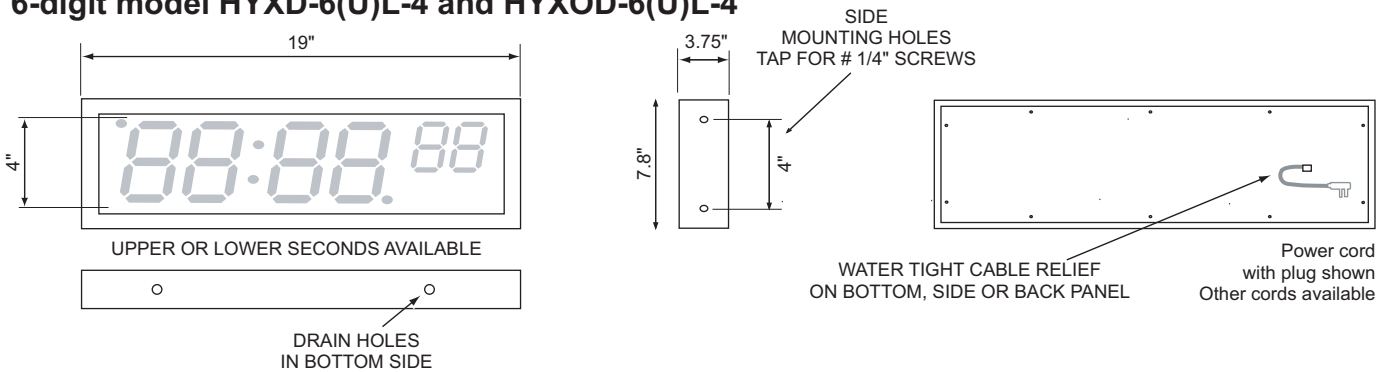
### 4-digit model HYXD-4-4 and HXXOD-4-4



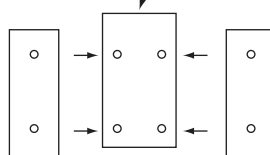
### 6-digit model HYXD-6S-4 and HXXOD-6S-4



### 6-digit model HYXD-6(U)L-4 and HXXOD-6(U)L-4



### OPTIONAL DOUBLE-SIDED OUTDOOR MOUNTING BRACKET (OPTION # OBR4X2)



NOTE: FOR OUTDOOR DOUBLE SIDED INSTALLATIONS THE WIRING AND POWER CORD IS ON THE SIDE, ON THE BOTTOM, OR ON THE TOP WALL OF ENCLOSURES

NOTE: ALL OUTDOOR MOUNTING SCREWS SHOULD BE PROTECTED WITH SILICON SEALANT APPLIED DURING INSTALLATION