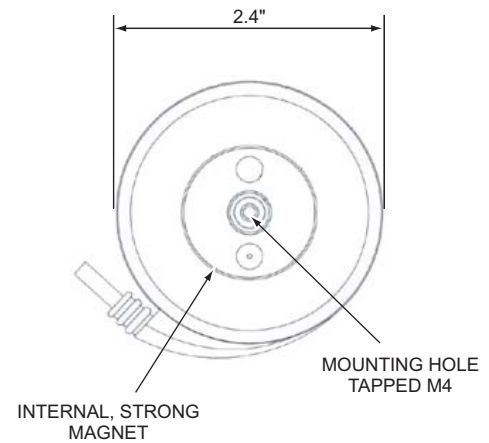


For use with option # 725GPS



BOTTOM VIEW

SPECIFICATIONS:

Supply voltage: 4.0 - 5.5 Vdc

Sensitivity: -165 dBW minimum

GPS

Performance: Receiver: WAAS enabled; 12 parallel channel GPS receiver continuously tracks and uses up to 12 satellites to compute and update the data

Acquisition times:

- * Reacquisition: Less than 2 seconds
- * Warm: Approximately 15 seconds
- * Cold: Approximately 45 seconds
- * SkySearch: 5 minutes

Serial format: Selectable between NMEA 0183 v2.00, NMEA 0183 v3.00, and GARMIN binary formats; Approved output sentences: GPALM, GPGGA, GPGLL, GPGSA, GPGSV, GPRMC, GPVTG; Proprietary sentences: PGRMB, PGRME, PGRMF, PGRMM, PGRMT, PGRMV

Cable, Connector: 16 feet cable terminated with 4 to 6 pin header

Temperature:

- * Operating: -30° to 80°C
- * Storage: -40° to 90°C

Environmental: Waterproof housing

Mounting: Magnetic bottom and female M4 tapped center mount on bottom plate

Size: 2.4" (61.0 mm) diameter x 0.76" (19.5 mm) height

Weight: 5.7 oz (115.6 g)

