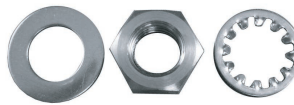
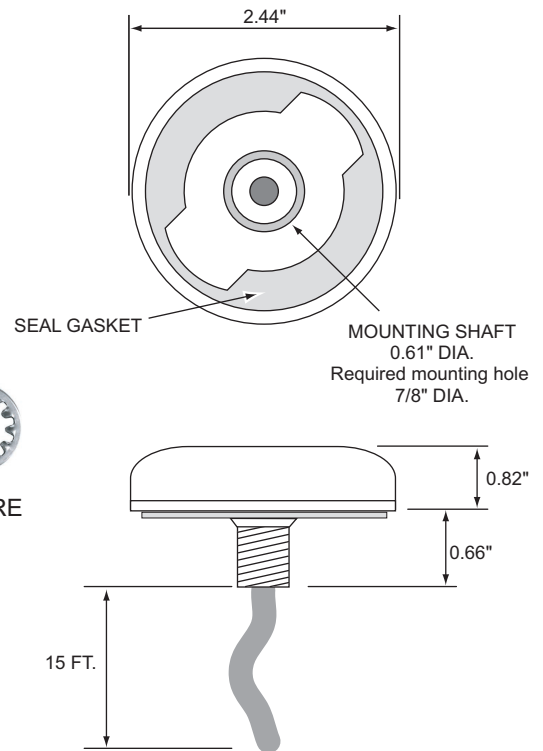


GPS Receiver and Antenna for LED Clocks for Vehicles and Boats

For use with option # 725GPSV



MOUNTING HARDWARE



SPECIFICATIONS:

Supply: 3.3 - 5 Vdc, 50 mA average

Sensitivity: -159 dBm minimum

GPS

Performance: Receiver: WAAS enabled; 20 parallel channel GPS receiver continuously tracks and uses up to 20 satellites to compute and update the data

Acquisition times:

- * Reacquisition: 0.1 second average
- * Hot: 1 second average
- * Warm: 38 seconds average
- * Cold: 42 seconds average

Serial format:

NMEA 0183 V2.2 (optional: SiRF binary)
Sentences: GPALM, GPGGA, GPGLL, GPGSA, GPGSV, GPRMC, GPVTG;

Cable, Connector: 15 feet cable terminated with 4 to 6 pin header

Temperature:

- * Operating: -40F to 185F (-40° to 85°C)
- * Storage: -49F to 212F (-45° to 100°C)

Environment: Waterproof housing

Mounting: Bottom sealing gasket and threaded center mount shaft on bottom plate

Size: 2.44" (62 mm) diameter x 0.82" (21 mm) height

Weight: 4.4 oz (173.74 g)



Model CBOX6P3C
WATERPROOF INDOOR / OUTDOOR PLASTIC BOX
WITH 2 X 6 POSITION SCREW TERMINAL
AND FOR UP TO 3 CABLES.



Material:	ABS plastic
Color:	White/Grey
Dims:	appx. 3.3" x 2" x 1.2" (84mm x 51mm x 30mm) (LxWxH)
Screw Terminal:	2 rows x 6 position
Wire size:	14 - 24 AWG
Waterproof	
Strain Relief:	For cables up to 0.3" dia. (7.6mm dia.)