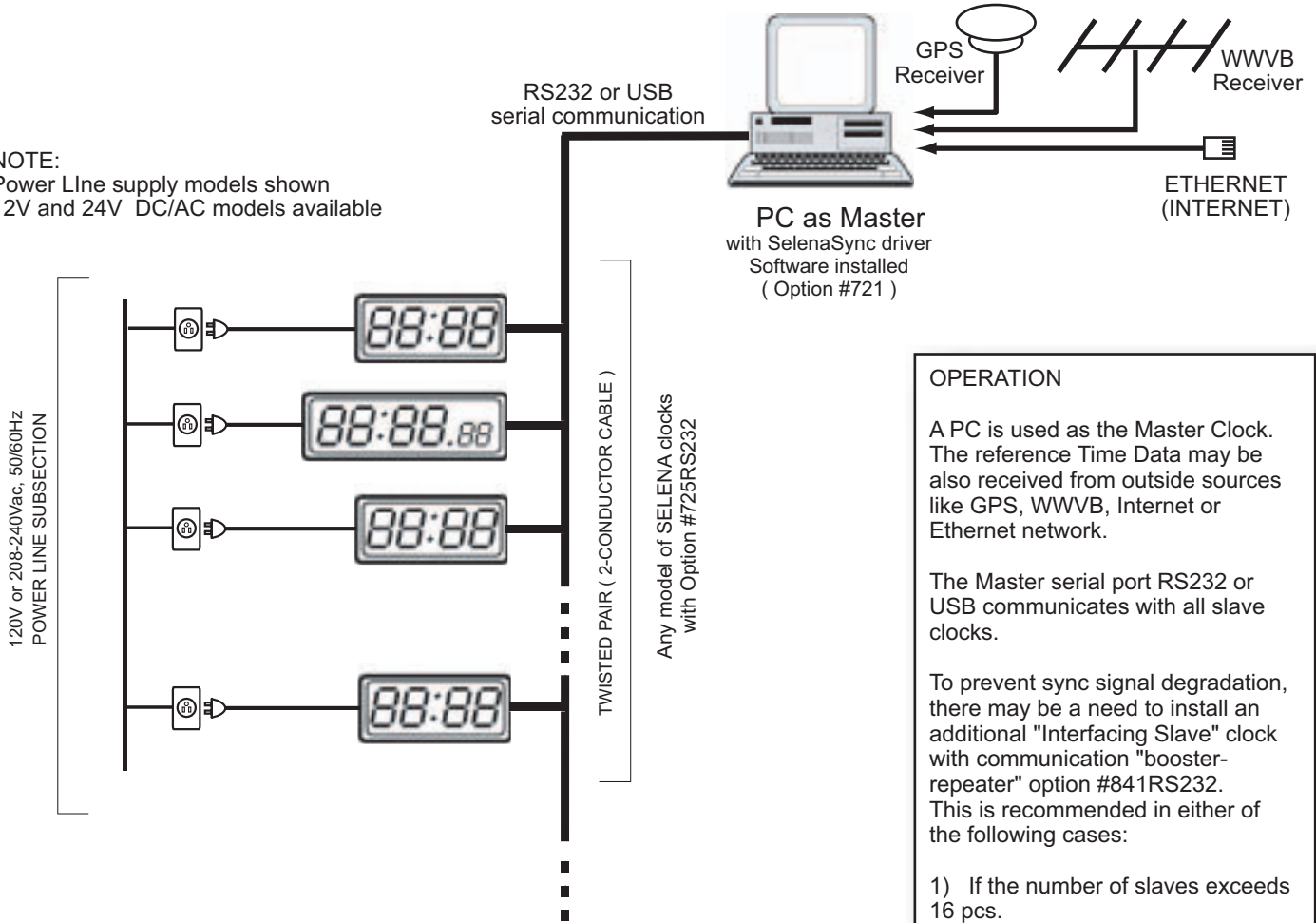


NOTE:
Power Line supply models shown
12V and 24V DC/AC models available



OPERATION

A PC is used as the Master Clock. The reference Time Data may be also received from outside sources like GPS, WWVB, Internet or Ethernet network.

The Master serial port RS232 or USB communicates with all slave clocks.

To prevent sync signal degradation, there may be a need to install an additional "Interfacing Slave" clock with communication "booster-repeater" option #841RS232. This is recommended in either of the following cases:

- 1) If the number of slaves exceeds 16 pcs.
- 2) If the length of the communication cable causes signal degradation.

**Configuration using RS232 or USB
Digital Communication and PC setup as Master Clock**

Main Features (all user selectable via the Remote Control):

- 1) Communication through RS232 or USB, 2 conductor cable wiring
- 2) PC used as the Master Clock
- 3) Master Sync receiver Enable/Disable
- 4) Self recharging backup for accurate time keeping without power or sync (no batteries required) for 2 weeks or longer (10 year lithium battery optional)
- 5) 120Vac, 208-240Vac, 12V or 24V 50/60Hz power line operation or DC 12V or 24V.
- 6) All other functions: Time/Date, Timers, Counters and Temperature display fully operational

NOTE: All options and presets are selectable via the Remote Control

