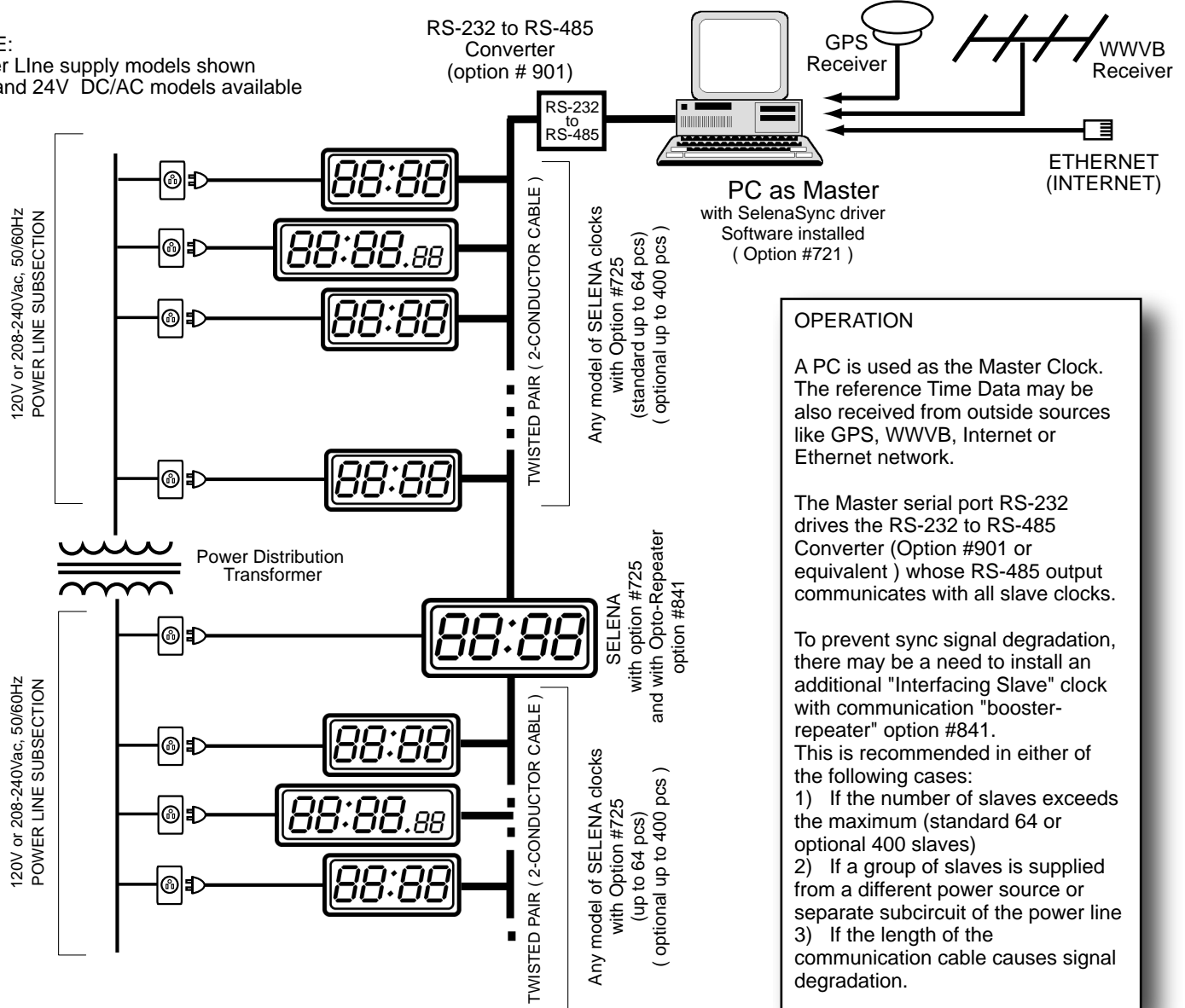


NOTE:
Power Line supply models shown
12V and 24V DC/AC models available



Configuration using RS-485 twisted pair Digital Communication and PC as Master Clock

Main Features (all user selectable via the Remote Control):

- 1) Communication through RS-485, 2 conductor cable wiring
- 2) PC used as the Master Clock
- 3) Master Sync receiver Enable/Disable
- 4) Self recharging backup for accurate time keeping without power or sync (no batteries required) for 2 weeks or longer (10 year lithium battery optional)
- 5) 120Vac, 208-240Vac, 12V or 24V 50/60Hz power line operation or DC 12V or 24V.
- 6) All other functions: Time/Date, Timers, Counters and Temperature display fully operational

NOTE: All options and presets are selectable via the Remote Control