

series SDH-3PB ... DIGITAL THERMOSTAT

INSTRUCTIONS

HOW TO START and STOP :

Press the "ON/OFF" key to Start or Stop the thermostat. At Start the display will show the current preset. At Stop the display will show text " OFF". When the thermostat is ON the display will indicate the current temperature reading and every several seconds it will flash the temperature preset value.

NOTE: When operating, it may be necessary to HOLD the pushbutton for a few seconds to make the controller recognize it.

TEMPERATURE ADJUSTMENT :

Press the UP or DN key to preset the desired temperature.

NOTE: For as long as the supply power is present, the preset value is saved in a temporary memory and it may be recalled later on by pressing a key on the keypad. Note that after each new Power Up the Preset is automatically set to the default value of the particular model preset range.

NOTE: When operating, it may be necessary to HOLD the pushbutton for a few seconds to make the controller recognize it.

CONTROL OPERATION :

The Controller switches the load ON and OFF as required to maintain the preset temperature compared to the sensor reading.

AUTOMATIC STOP :

The Controller stops automatically when a malfunction is detected or the temperature exceeds the controller limits.

IDLE/MONITORING OPERATION :

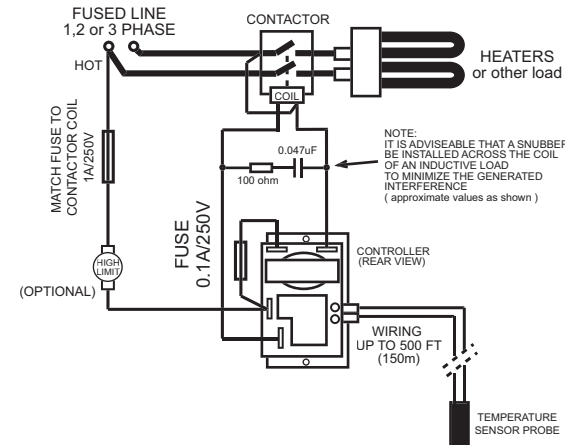
When the controller is at OFF the display will indicate the current temperature reading and every several seconds it will show text "OFF". The load is switched OFF.

CAUTION: All installation and adjustments of the controller options MUST be done ONLY when ALL POWER to the load and the controller is disconnected.

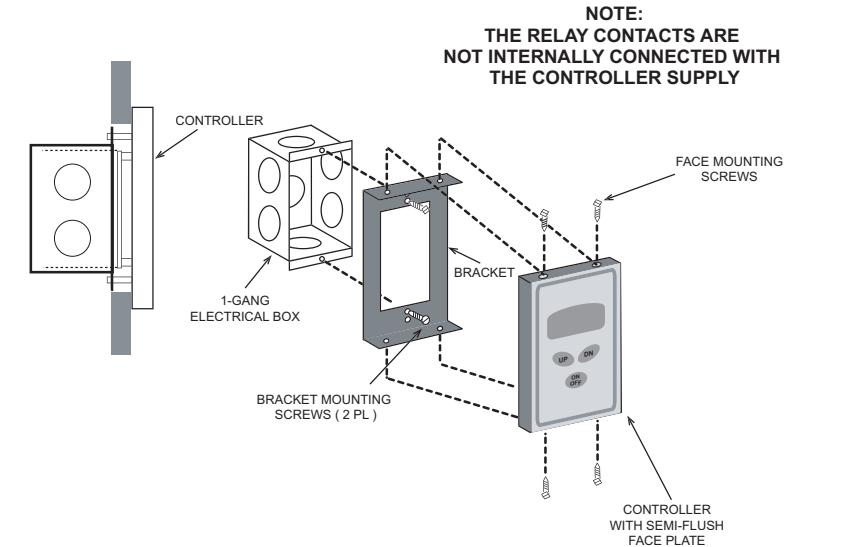
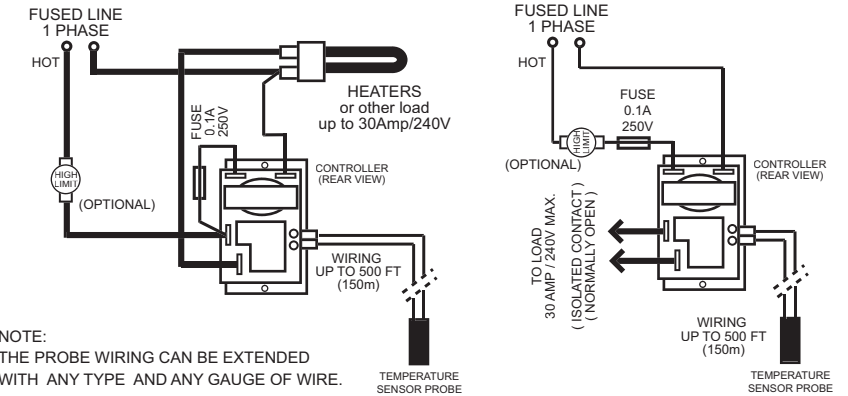
TROUBLESHOOTING :

Sensor wiring and controls are continually checked for proper operation. If a malfunction is detected, the controller will automatically switch OFF the load and deactivate itself. At the same time the display will show text "Err".

The controller cannot be reactivated until all causes of the malfunction are fixed.



WIRING EXAMPLES



Size: Fits in 1-gang masonry box.
 Dimensions: 1-3/4" x 2.75" x 2.5" (45mm x 70mm x 64mm) (WxHxD)
 Face Plate: Metal 2.75" x 4.5" (70mm x 114mm) with plastic decal (may be customized)