

model series: HYMAR-4-4, HYMARD-4-4, HYMAROD-4-4

Dot Matrix and Solid Segment LED digits
Indoor and Outdoor LED brightness

RED, GREEN, YELLOW, BLUE

Surface Mount (or optional Flush Mount)
Water-Proof , Outdoor Enclosure
Stainless Steel painted with baked enamel

STANDARD FEATURES:

- * Infra Red hand held REMOTE CONTROL for all functions
- * 12 or 24 Hour and Military Display Format (user selectable via remote)
- * Stand - Alone operation for Home or Office
- * Backup:
Self-recharging backup - NO BATTERY NEEDED
- * Day/Date/Month/Year Alternating display selection
- * Fully Adjustable Brightness (Manual via remote control)
- * Julian Day display
- * Auto Leap-Year correction
- * Day Light Savings correction
- * Timers:
Wake-Up Alarm Timer with soft beeper control
Stop-Watch function up to 1/100 sec resolution
Up/Down Presetable Timer and Counter with Alarm (up to 99hrs:59min:59sec or 999999 counts)
Cycling timer, Up and Down
- * On-Board Alarms: Internal Alarm buzzer
- * NON-GLARE lens
- * NON-MULTIPLEXING - Camera friendly
- * Variety of enclosure colors.



Multifunction
Remote Control
Included

SPECIFICATIONS:

| | |
|------------------------------|---|
| Supply Voltage: | 115V, 208-240V, 50/60Hz 24 or 12V AC/DC |
| Power: | 6VA average |
| Operating Temperature: | -30C to +80C (-22F to 175F) |
| Humidity: | 100% RH max. waterproof |
| Dimensions (w/o back flange) | 13" x 6.5" x 2.7" (33cm x 16.5cm x 6.85cm) |
| Back Flange: | Add 1" (2.54cm) on each side and depth |
| Visibility: | Easy up to 80Ft. (25m) |

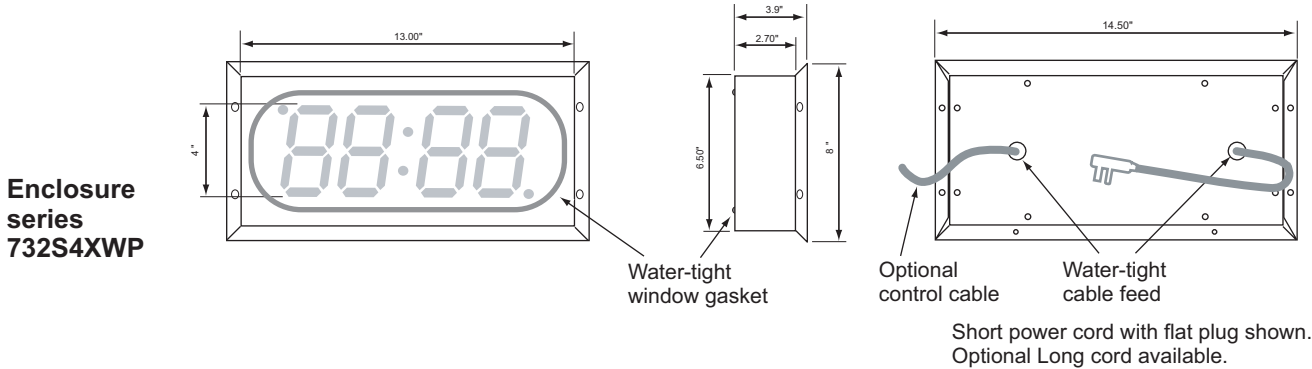
Optional FEATURES:

- * Direct Replacement for existing MASTER - SLAVE SYSTEM CLOCKS (replaces round, mechanical or electronic)
- * Multiple Master-Slave correction modes:
Master-Slave Power Line Carrier sync (Simplex)
Master-Slave 2 Wire, RS485 Twisted Pair Sync/Communication
Master-Slave wireless communication on power line wiring
Master-Slave wireless RF, radio communication
Master-Slave network ethernet communication
Master-Slave BCD digital, ASCII Time Code
RS232, USB and RS485 serial communication (PC port as the Master)
Master-Slave 2 and 3 Wire, 5 to 24V Minute Impulse Sync
- * Multi-Zone synchronized Master-Slave system
- * Temperature Monitoring and Control:
Multi-Event Programmable Thermostat (up to 32 events/day)
Heating - Cooling Auto Change-Over
Inside and Outside Thermometer function
Min/Max Temperature Memory
Temperature Alarm and Relay outputs (up to 2 x Form C, 10Amp/250V)
- * Backup:
10 Year Lithium battery option
- * Atomic Clock radio option (WWWVB60, DCF77, HBG75, MSF60, OHTAKADOYA40, HAGANE60)
- * Atomic Clock GPS option
- * Automatic Brightness with Auto-dimming option
- * Timers:
Multi-Event Programmable Timer (up to 32 events/day)
Stop-Watch function up to 1/100 sec resolution
External Start/Stop/Reset switch inputs
Auto-reloading time period measurement
Continuous time count on power failure
- * On-Board Alarm Relays for timers and counters: (up to 2 x Form C, 10Amp/250V) For external load, siren or horn.

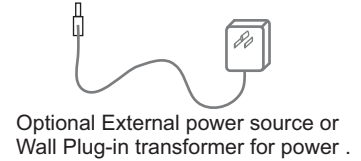
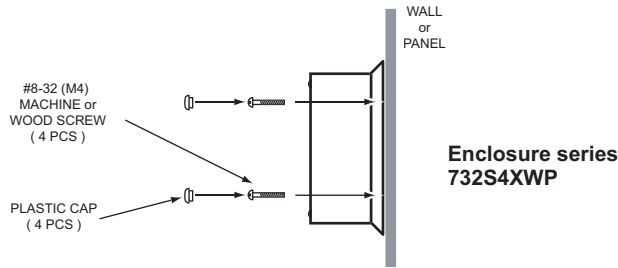


Enclosure series 732S4XWP and 732S4XFLWP
Straight 4-digit model (standard colors: grey, black, white)

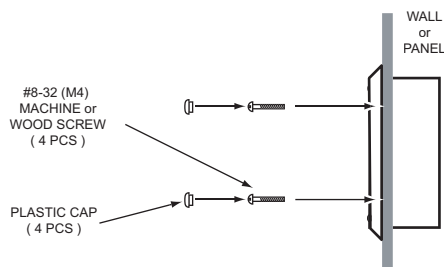
Model with internal or external power supply



**Permanent surface mounting
with hidden bolts**

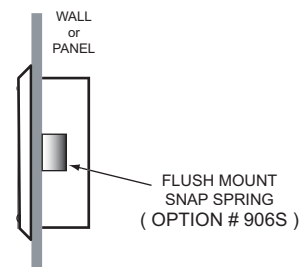


**Permanent flush mounting
with hidden bolts**



Enclosure series
732S4XFLWP

**Flush mounting
with retaining springs**



Enclosure series
732S4XFLWP906S